

# The Zero Beat

## THIS MEETING

**January 9, 2008**  
**7:30 P.M.**  
**(socializing begins at 7)**  
**Hoover Elementary**  
**23720 Hoover Ave.**  
**Hazel Park 48030**

## SAMOAN SENSATIONS

Happy New Year to one and all! Here we are actually in the middle of our programming year. To help us over the winter hump Ted K8AQM will present the Samoan DXpedition at the January 9 meeting. Hopefully, that will help us forget the cold and snow for a little while. Let's show Mother Nature what Michiganders are made of and show up in full force.

Don't that the Swap is the 20th and we need to finalize the volunteer list. Contact Sean K8KHZ and let him know where you want to volunteer for the swap.

## CONTENTS

## PRESIDENT'S QRM

Around Town	7
Blind Antenna	5
CQ DX & Contesting	4
DX Info	5,7
Extra Class Questions	7
Nets	2
Officers/ Volunteers	2
Our Crib	2
President's QRM	1
Scholarships	9
Tech Talk	6
Using LoTW Part II	3
WiAW Schedule	7

First off, I would like to wish everyone a Happy New Year! It's a time to reflect back on the previous years of our lives, and to look forward to what will come in the next year. Many of us also resolve somehow to improve ourselves and our situations over the coming year. It might be health-related, financial, or maybe just the way we deal with others. But we tend to look upon the New Year as a time of renewal and self-improvement.

So, are you thinking about ways to help your fellow man in the coming year? How about getting more involved with the HPARC? There are many volunteer spots available, and most do not require a great deal of time or effort to be invested. Just a simple task to do once a month or once a year, and the previous chair(s) of the event are usually more than happy to show you the ropes. Beyond that, you might also want to get more involved in public service, or take another FEMA course to keep your ARES/RACES certification current.

Along that line, thanks to the many

people who made 2007 such a good year for the club. First of all, thanks to my fellow officers, who have done a great job of making sure the club runs smoothly. Thanks to our Newsletter editor, Marsha, for keeping the Zero Beat fresh and fun to read.

Thanks to Bill and Jack for taking care of refreshments at the meetings. Thanks to the Net operators for keeping the HPARC 2-meter net running (especially QVS!). Thanks to Murray and company for maintaining the DART. Thanks to Sean for maintaining the web site as well as running the Swap (a HUGE job!). Thanks to Carl and Dee for keeping the VE Program running smoothly, and helping to get new people licensed or upgraded. Thanks to Rich, John, Don and John for their hard work with classes. Thanks to Phil for the work he does with Jackets and Shirts. And thanks to Paul for a great Christmas Party! I will have the final tally from the Salvation Army to announce at the January meeting. Thanks so much to everybody for your generosity.

*(Continued on page 2)*

**OFFICERS & VOLUNTEERS**

- **President:** Jeff Albrecht  
248-642-3608  
[N8WR@arrl.net](mailto:N8WR@arrl.net)
- **1st VP:** Jim Poehlman  
[K8ABZ@arrl.net](mailto:K8ABZ@arrl.net)  
248-398-0086
- **2nd VP:** Murray Scott  
[KE8UM@arrl.net](mailto:KE8UM@arrl.net)
- **Treasurer:** John Fleming  
K8UP 248-542-9573  
[john@fleming-photo.com](mailto:john@fleming-photo.com)
- **Director:** Rich KC8WPW  
586-264-5035  
[shadowru@comcast.net](mailto:shadowru@comcast.net)
- **Secretary:** Sean Fleming  
K8KHZ 248-850-7961  
[K8KHZ@yahoo.com](mailto:K8KHZ@yahoo.com)
- **Parliamentarian:** Bill  
Ketel N8QVS  
[wketel2@netzero.com](mailto:wketel2@netzero.com)
- **Newsletter:** Marsha  
N8FE [n8fe@arrl.net](mailto:n8fe@arrl.net)
- **Classes:** Don W8PDI  
[w8pdi@arrl.net](mailto:w8pdi@arrl.net)  
248-589-1316
- **Swap:** Sean Fleming  
[K8KHZ@yahoo.com](mailto:K8KHZ@yahoo.com)  
248-850-7961
- **Webmaster:** Sean  
Fleming 248-850-7961  
[K8KHZ@yahoo.com](mailto:K8KHZ@yahoo.com)
- **Technical Coordinator:**  
Murray Scott  
[KE8UM@arrl.net](mailto:KE8UM@arrl.net)
- **VE Testing:** Dee Flint  
N8UZE [n8uze@arrl.net](mailto:n8uze@arrl.net)
- **Public Information:**  
Gary Sklar K8IKW  
[k8ikw@aol.com](mailto:k8ikw@aol.com)
- **Contest Mentors:**  
Mike WD8S  
[wd8s@arrl.net](mailto:wd8s@arrl.net)  
Gerry K8GT  
[k8gt@arrl.net](mailto:k8gt@arrl.net)
- **Field Day:** John Fleming  
K8UP 248-542-9573  
[john@fleming-photo.com](mailto:john@fleming-photo.com)
- **Banquet**

**NETS**

**Oakland County Amateur Radio Public Service Corp (ARPSC)**

Every Thursday @ 8 pm on 146.900 MHz/100pl. Hospital Radio Net on last Thursday of each month during the net. (W8OAK-3 will run packet on 147.56 MHz for those wanting to practice and test their equipment) [www.qsl.net/w8oak](http://www.qsl.net/w8oak)

**Sunday Night 2-meter Phone Net**

Every Sunday at 9:00 PM local time, (146.64 (-), catch up on club news and information, and just to keep in touch. All amateurs are welcome to check in.

**NTS Traffic Nets**

the Southeast Michigan National Traffic System (NTS) net Normally held every night at 10:15 PM local time on 145.33. Net manager is Diane, W18K.

**Rocking Chair Net**

You don't have to be confined to a rocking chair to check in! A friendly group meets on 145.630 MHz simplex (FM phone) at 8:00 PM local time, weekdays + some Saturdays. Net control is usually Bill, N8QVS, or Bill, KB8NIH, both of whom are located in Royal Oak.

**Wolverine Net**

The 75 Meter Wolverine Net meets on 3935 KHz (LSB phone) daily at 7:00 PM local time with pre-net starting at about 6:30 PM. The nets start a half hour earlier in winter. You can get details from Joe, K8JRE [joecuchetti@comcast.net](mailto:joecuchetti@comcast.net) or Ed, W8EDE [ed@ellisgen.com](mailto:ed@ellisgen.com).

**HPARC medium speed CW net**

Every Tuesday night at 8:00 PM on 28.128 MHz. Al, N8WYO, runs the net and will match your speed. This is a net for folks who have mastered the 5 wpm, and want to move up to faster speeds, or if you're a little rusty.

Al calls CQHP at 8 PM sharp!

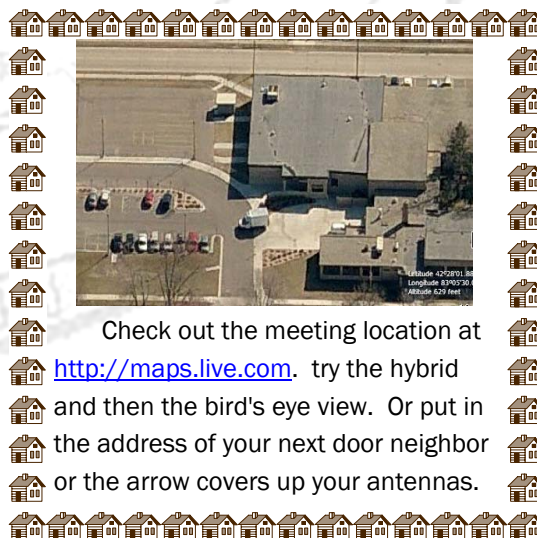
**QRM...**

*(Continued from page 1)*

Our January meeting will take place on Wednesday, January 9, at 7:30 pm at Hoover Elementary. Be sure to drop in and check out the presentation, as well as to socialize, or maybe to renew your membership. Don't forget to sign up as a Swap Volunteer that night, too. This is the main moneymaker for the club, and we need to have it succeed if we want to keep dues low and activities high. We can't do it without the help of everyone in the club, so even if you don't normally get real involved in the nuts-and-bolts of club activities, please help by supporting the Swap.

Be sure that Murray has any logs from November Sweepstakes, so you can get your pin or mug, courtesy of the club. If you made 100 c0ntacts, you get a pin. If you made a Clean Sweep, we will buy a mug for you. Check with Murray for details.

Dayton will be upon us soon, so be sure to chat with Steve, N8FH, if you want to reserve a room. The club will reserve a block of rooms in Dayton for members. Steve takes care of that, so speak with him. Looking forward to seeing you at the meeting,  
Jeff N8WR



Check out the meeting location at <http://maps.live.com>. try the hybrid and then the bird's eye view. Or put in the address of your next door neighbor or the arrow covers up your antennas.



## USING LOTW, PART II

Now that you are set up on LoTW, you need to upload your logs and get some QSL's. Most standard and contest logging programs can save files in ADIF format. Here are the steps to upload an ADIF file to LoTW.

1. Create an ADIF file in your logging program. (I suggest the format of **callsign date contest.adif**)
2. Save it in the LoTW subfolder named ADIF

### Signing an ADIF File

1. Open TQSL
2. Click File and "Sign existing ADIF or Cabrillo file"
3. In "Select Station Location", click the certificate to sign the file  
(In my case I have N8FE and KA8DMR. I choose N8FE since it is my primary call. However, when I go to Australia I'll have another certificate for VK4xxx and will select that station)
4. Click "Ok"  
(it will ask you if this is what you want - if yes then click ok)
5. Specify the filename. (I suggest the format of **callsign date contest.tq8**) and putting it in the LoTW/ADIF folder
6. As the program begins, you will also be asked to enter your private key password.

*(When the signing is complete you will see a message telling you how many records were signed and tell you the location of the file, which has an extension of .tq8.)*

### Uploading to LoTW

1. Go to <https://p1k.arrl.org/lotwuser/default> and logon  
Note: This is **not** the password sent to US amateurs via postcard
2. Click on the yellow button labeled "Upload File"
3. Click on Browse to bring up a windows folder view to find your TQ8 file.
4. Click on the filename [callsign date contest].tq8 file you just saved to highlight it and then click "Open" (the file path will populate)
5. Click the Upload button

*A message will appear saying that your file is being processed. (The process is not instantaneous but faster than the email process.)*

An alternate method is to send it as an attachment via email to [lotw-logs@arrl.org](mailto:lotw-logs@arrl.org). You will receive an email response. (More than one file can be attached to an email message.) Your email does not need to have anything in the subject line or in the body of the email.

6. You just finished loading your log and you are ... DONE

**Now comes the hard part – waiting for the other person to upload their ADIF file so the system can create a QSL.**

### QSL Report on LoTW

When you log onto LoTW, you should have a counter in the top right side that says something like:

You have **1,694** QSO records

You have **350** QSL records

When the QSL records are more than 0,

1. Click on the "Your QSOs" button
  2. Click on the "Most recent **QSLs**" button
- Voila!! There is the list of matched QSOs.

### Download Report

You can download a report in ADIF format to import to your logging program.

1. Click on "Download Report" (on the left)
2. Fill in the information
3. Click "Download Report"
4. Choose where you want to save it (I suggest in your LoTW / ADIF folder)

Your logging program should have instructions on how to add the downloaded ADIF file so that it shows them as "confirmed by LoTW"

Once, you have uploaded the initial log, please only upload updates. Logging software should allow you to set the beginning date to that of the QSO after the last one in your previous ADIF file.

If you need help, feel free to send me an email at [n8fe@arrl.net](mailto:n8fe@arrl.net) or call on 248-542-9573 Marsha N8FE

## CHARGING PODS



With all of the gadgets that John and I have collected, I had to check out the gadget chargers that Mike Wendland from the Free Press was recommending on YouTube. The one I like is the ChargePod. See for your-

self at [www.youtube.com/watch?v=DxDHxoxymRc](http://www.youtube.com/watch?v=DxDHxoxymRc)

It will charge up to 6 items including cell phones, mp3 player, electronic games, PDA's, iPod's, Bluetooth headsets, etc. called "Callpod CHPA-0002 Chargepod 6-Way Mobile Device Charging System Bundle" available for \$99 but the starter kit is cheaper on Amazon. Then you buy adapters as you need them.

Marsha N8FE

**C Q D X . . .****The winner is 330700**

Are the clerks having trouble figuring out how to ring up your IRC purchases at the USPS? I normally don't have any problems until I got a new guy at the counter in Berkeley, MI. He knew what IRC's were but not how to put them in the computer. That is until the other clerk told him to put in "330700". He put it in and no trouble after that.

Of course, if they don't have any 2009 IRC's or 10 and 5 cent stamps in stock, I can't help with that part. And don't forget to watch them stamp each one on the left bottom square.

**Bouvet Island 3Y0E**

Petrus ZS6GCM has been operating with the callsign 3Y(Zero)E for the duration of the 2007/2008 scientific expedition from Bouvet Island. Petrus has been operating when he is not working and may have trouble hearing you. Make sure you get a confirmation of your callsign before you end the QSO. The official website where they will upload logs, news about Petrus and have QSL information is [www.3y0e.wordpress.com](http://www.3y0e.wordpress.com).

**KH8SI group operating on St Barts**

Members of the KH8SI group have announced a DXpedition to the newest DXCC entity Saint Barthelemy Island. "With the help and support of FJ5DX, FJ5AB and FJ5KH, both Yuichi JR2KDN and Paul F6EXV will sign FJ/F6EXV (callsign used for SSB and CW) and FJ/JR2KDN (callsign used for RTTY), from January 6th till January 20th", says F6EXV, Paul. The two will have two complete stations and at times will both be QRV simultaneously. . . Paul will do CW but that is not his primary mode. He asks for some patience here. . .

They are in the process of setting up a Web page which is expected to have a log search, although access to the Internet will not be possible from their operating location. Plans are to upload the logs every two or three days, depending on access to the Internet. Paul says "Do not use the clusters to ask us to QSY places, it would be a waste of time." More details on this DXpedition are expected in the near future. QSL routes are via the home calls. FJ/F6EXV via F6EXV and FJ/JR2KDN via JR2KDN. Bernie McClenny, W3UR [www.dailydx.com](http://www.dailydx.com)

**C O N T E S T C O R N E R**

Welcome to Contest Corner. Jan. — Feb. line-up are as follows:

**January**

- 12 Ø7Ø Club PSKFest PSK-31
- 12-13 MI-QRP Club January CW Contest
- 12 Midwinter Contest CW
- 12-13 North American QSO Party CW
- 13 Midwinter Contest, Phone
- 19-20 North American QSO Party CW
- 26-27 CQ 160-Meter Contest, CW
- 26-27 UBA DX Contest, SSB

**February 2008**

- 2-3 Vermont QSO Party
- 2-3 10-10 Int. Winter Contest, SSB
- 2 Minnesota QSO Party
- 2-4 Delaware QSO Party
- 2-3 Mexico RTTY International Contest
- 9-10 CQ WW RTTY WPX

**Party your way to a WAS Award**

Now is the time year to work on your WAS award. The North American QSO Party is held twice a year both CW and SSB. That's 4 times you can work on getting the 50 states. Also many of the states have QSO parties throughout the year.

Vermont, Minnesota and Delaware are holding their QSO parties during the weekend of first weekend in February. So if you have time, sit down and try to work people on each of the bands for those 3 states. If you can work the contest, then do a run for a few hours and you'll be surprised how many states you get.

The idea is to start early in the day on the lowest band you can and work your way up the bands as the day progresses. Sure you can make a bunch of contacts on 20 all day long. But don't forget if 10 or 15 are open, go for it! You need them for your 5-band WAS.

CU on the air,  
Marsha N8FE

## BOSNIA IS E7A-E7Z

In response to a request from the Ministry of Communications and Transport of Bosnia and Herzegovina in August, the International Telecommunication Union (ITU) withdrew the call sign prefix allocation T9A-T9Z for Bosnia and Herzegovina and made a new allocation, E7A-E7Z. The change was made initially on a provisional basis under authority of the ITU Secretary-General and was confirmed by the 2007 World Radiocommunication Conference to be effective November 17, 2007.

According to International Amateur Radio Union (IARU) Secretary David Sumner, K1ZZ, the Ministry of Communications and Transport (BiH) held a press conference in Sarajevo on December 18 to formally announce the change. Minister Dr Boro Ljubić explained the desirability of changing a prefix that initially was allocated during wartime and how it was now being replaced with one that has no connection to that troubled time; similar steps have been taken with regard to passports, drivers' licenses and automobile registrations, he said. Ljubić also observed that the costs associated with the change were minimal compared to the benefits. Amateur Radio station licenses bearing E7 prefixes will be issued beginning in January 2008, and the use of other prefixes will be phased out.

Sumner and IARU Region 1 President Ole Garpestad, LA2RR, of Norway, were invited to speak at the press conference. Accompanying them was IARU Region 1 Executive Committee member Nikola Perić, 9A5W, of Croatia. They expressed congratulations and support for the change, eliminating an issue that has complicated relations among the radio amateurs of Bosnia-Herzegovina.

Also invited to speak was Miroslav Nikšić, President of the Union of Radio Amateur Associations of Bosnia and Herzegovina (URAS), a recently formed umbrella organization of amateur radio associations based in different parts of the country. He thanked those involved in promoting the change.

In his remarks, Dr Ljubić pledged support from the Ministry of Communications and Transport to the umbrella organization for the development of Amateur Radio repeater and digital networks that would cover the whole of the country, enhancing emergency communications capabilities. [source: ARRL]

## BLIND ANTENNA

I just read, with interest, about AA1DO's condo antenna farm (QST April 2001, page 64). My own situation is a ham's nightmare or challenge, depending upon how you look at it. I live in a second-floor apartment and am unable to have any outdoor antenna or anything in the common attic space. This is a Senior Citizens apartment in a converted church building. I immediately tried to come up with a workable indoor antenna arrangement. What I devised has netted me 67 countries or so on 20, 17 and 15 meters CW and SSB.

The antenna is a simple bottom-loaded "inverted U" wire that is mounted in my second-floor window. It is supported on the Venetian blind with cable ties. The blind slats are vinyl, not metal, of course. The window itself is 40 inches wide and 44 inches high, so the wire is 35 inches across the top and 40 inches on the two sides. A 27-inch piece of stranded insulated wire with an alligator clip on one end connects the one side of the inverted U to an air wound loading coil of 14 turns of no.10 wire two inches in diameter. A short run of coax from my Yaesu FT-920 transceiver is connected to the bottom of the coil and a "ground plane" of random length 4-inch wide copper strap. Using the alligator clip I can resonate my Venetian Blind Antenna for 20, 17 and 15 meters with an SWR of less than 1.5:1. The built-in tuner in my FT-920 trims it down to a perfect match.

I'm pretty satisfied with its performance. I haven't been able to put in a lot of hours operating, but 67 countries in the limited time I have been on the air aren't bad. The one thing that amazes me, though, is this: The window my Venetian Blind Antenna is mounted in faces the southwest. Contacts with Europe and Russia and Africa are most common and usually with the best reports (often S7 or better), yet my transmit signal has to go through the entire apartment building to exit toward those countries! So, there is always hope for the "antenna disadvantaged" ham. Apartment dwellers, take heart!

Ray Jenkins, W3MQA

[source, ARRL Technical article archives—check out their web site. You might surprised the gems you might find. Some are marked "members only" but what you learn in these articles outweighs the cost of membership.]

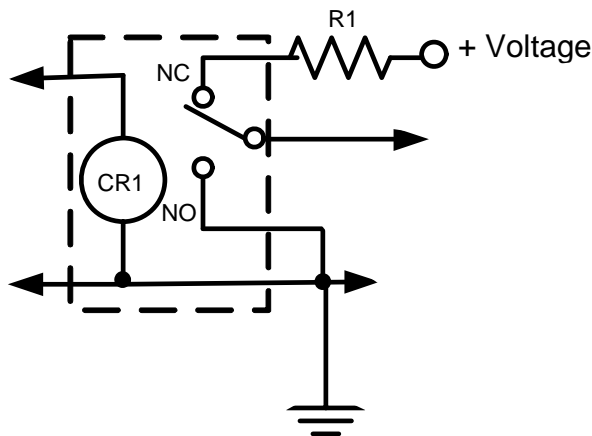
## TECH TALK

### Need to flip signal?

Occasionally when connecting logic signals from one device to another we encounter a situation where the output is going the wrong way. A typical example is a device with a quiescent zero potential that goes high when the desired event is executed is used to control another device that requires the signal to go low for execution. Or vice versa. It's simple to grab a relay and invert the signal. Converting

Converting

<sup>1</sup> R1 is a pull up resistor, (not always necessary) typically  
 ::  $R1 = (V_{cc} * 1000)$



<sup>2</sup> A diode is place across the coil to direct the EMF back to the coil

But! . . . But What!

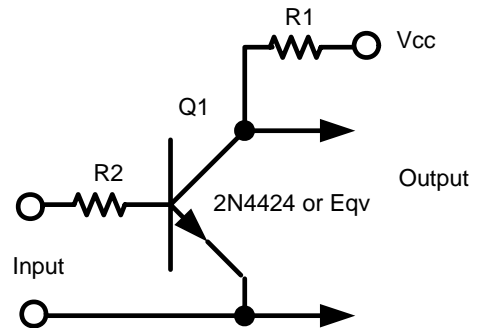
A closer look and some forward thinking points out a few serious short comings of this approach.

- A. The relay coil may draw too much current to work or load down the source. Most control sources are limited to 5 or 10 ma of current.
- B. The inductive fly-back of the coil needs to be dampened<sup>2</sup>. For get this and you are in for noise as well as potentially damaging the source.
- C. All contacts exhibit bounce, creating more than one command signal. If the logic being feed is edge triggered, then expect a few extra events.
- D. Speed – There is none
- E. The source may not be able to drive relay, especially if you are trying to take this directly from a circuit board signal.
- F. Cost and availability may also be a factor

What's the alternative? A simple transistor, cheap and everyone has them; including Radio Shack .

The circuit is not anymore complicated.

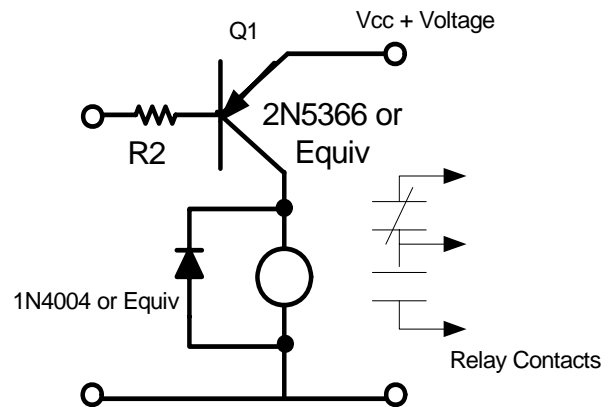
When the input to Q1 is low, the transistor is OFF, the



output is obtained through the R1 pull up resistor rendering a High output.

When the input to Q1 is high, Q1 is turned on, sinking the output to ground rendering a low output. R1 is optional, some equipment has internal pull up circuitry.

R2 provides current limiting ::  $R2 = V_{cc} * 2000$



Relay coil voltage to be the same as Vcc

Need to drive a large relay from a soft source? In this circuit, when the input goes low, the relay is energized. If the relay offers a from "C" contact arrangement, either signal direction can be obtained.



## ST. BARTH GETS ITS OWN PREFIX

The ARRL DXCC Desk is pleased to announce the addition of St Barthelemy (FJ) to the DXCC List, making the island entity number 338 with an effective date of 14 December, 2007. Cards with contacts dated December 14, 2007 or after will be accepted for DXCC credit. New card submissions for St Barthelemy will not be accepted until January 1, 2008 in order to allow time for administrative adjustments.

### Background

On February 21, 2007 the French Ministry issued a decree making St Barthelemy an Overseas Collective, making its status equal to that of Guadeloupe, Martinique and other French territories currently on the DXCC List. On November 8, 2007 the President of Association Des Radio Amateurs De St Barthelemy, Philippe Delcroix, FJ5DX, contacted the DXCC Desk, requesting that St Barthelemy be considered a new DXCC entity.

The "event date" that caused St. Barthelemy to be added to the DXCC list was December 14, 2007, the date the US State Department Fact sheet was updated by the Bureau of Intelligence and Research. This update added St Barthelemy to the /List of Dependencies and Areas of Special Sovereignty with its Administrative Center in Gustavia, qualifying it under DXCC rules in Section II – 1 Political Entities (c):

c) The Entity contains a permanent population, is administered by a local government, and is located at least 800 km from its parent. To satisfy the "permanent population" and "administered by a local government" criteria of this sub-section, an Entity must be listed on either (a) the U.S. Department of State's list of "Dependencies and Areas of Special Sovereignty" as having a local "Administrative Center," or (b) the United Nations list of "Non-Self-Governing Territories."

### St Martin

French St Martin (FS), while also added to the List of Dependencies and Areas of Special Sovereignty, will remain on the DXCC List, but it is now considered a Point 1 Political Entity under the same classification as that of St Barthelemy.

Please direct any questions you may have about St Barthelemy, St Martin or the DXCC program to the [dxcc@arrl.org](mailto:dxcc@arrl.org)

73 es DX!

Bill Moore NC1L

DXCC Manager

ARRL - The National Association for Amateur Radio



LIBENOT - 1017-4studio.com

## ST BARTH'S GRID

CQ DX Awards Manager Billy Williams has announced that the Caribbean island of St. Barthelemy - prefix FJ - has been added to the CQ DX Awards entity list, effective immediately, for confirmed contacts with the island made on or after February 21, 2007.

For purposes of the CQ DX Field Awards, St. Barthelemy is in grid field FK.

## NEW EXTRA POOL

**New Amateur Extra Class Question Pool Released** (Dec 26,

2007) – The National Conference of Volunteer Examiner Coordinators ([NCVEC](#)) has released the [new pool of questions for the Amateur Extra class license](#). This pool will become effective for examinations given on or after July 1, 2008, and

should be in service until June 30, 2012. The pool, which consists of 741 questions and 12 graphics, can be downloaded from the NCVEC Web site in [Word](#), [PDF](#) or [RTF](#) formats. If you have any questions concerning the new Amateur Extra question pool, please contact the NCVEC's Question Pool Committee via [e-mail](#).



**W1AW 2007-2008 WINTER SCHEDULE**

**Morning Schedule:**

Time	Mode	Days
1400 UTC (9 AM EST)	CWs	Wed, Fri
1400 UTC (9 AM EST)	CWf	Tue, Thu



On Tuesdays and Fridays at 2330 UTC (6:30 PM EST), Keplerian Elements for active amateur satellites are sent on the regular teleprinter frequencies.

A DX bulletin replaces or is added to the regular bulletins between 0100 UTC (8 PM EST) Thursdays and 0100 UTC (8 PM EST) Fridays.

In a communications emergency, monitor W1AW for special bulletins as follows: Voice on the hour, Teleprinter at 15 minutes past the hour, and CW on the half hour.

FCC licensed amateurs may operate the station from 1500 UTC to 1700 UTC (10 AM to 12 PM EST), and then from 1800 UTC to 2045 UTC (1 PM to 3:45 PM EST) Monday through Friday. Be sure to bring your current FCC amateur radio license or a photocopy.

The W1AW Operating Schedule may also be found on page 96 in the November 2007 issue of QST or on the web at, <http://www.arrl.org/w1aw.html>.

**Daily Visitor Operating Hours:**

1500 UTC to 1700 UTC - (10 AM to 12 PM EST) 1800 UTC to 2045 UTC - (1 PM to 3:45 PM EST)  
(Station closed 1700 to 1800 UTC (12 PM to 1 PM EST))

**Afternoon/Evening Schedule:**

2100 UTC (4 PM EST)	CWf	Mon, Wed, Fri
2100 " "	CWs	Tue, Thu
2200 " (5 PM EST)	CWb	Daily
2300 " (6 PM EST)	RTTY	Daily
0000 " (7 PM EST)	CWs	Mon, Wed, Fri
0000 " "	CWf	Tue, Thu
0100 " (8 PM EST)	CWb	Daily
0200 " (9 PM EST)	RTTY	Daily
0245 " (9:45 PM EST)	VOICE	Daily
0300 " (10 PM EST)	CWf	Mon, Wed, Fri
0300 " "	CWs	Tue, Thu
0400 " (11 PM EST)	CWb	Daily

**Frequencies (MHz)**

CW: 1.8175 3.5815 7.0475 14.0475 18.0975  
21.0675 28.0675 147.555  
RTTY: 3.625 7.095 14.095 18.1025 21.095 28.095  
147.555  
VOICE: 1.855 3.990 7.290 14.290 18.160 21.390  
28.590 147.555

**Notes:**

CWs = (slow) = 5, 7.5, 10, 13 and 15 WPM  
CWf = (fast) = 35, 30, 25, 20, 15, 13 and 10 WPM  
CWb = Bulletins = 18 WPM  
CW frequencies include code practices, Qualifying Runs and CW bulletins.  
RTTY = Teleprinter Bulletins = BAUDOT (45.45 baud) and AMTOR-FEC (100 Baud). ASCII (110 Baud) is sent only as time allows.  
Code practice texts are from QST, and the source of each practice is given at the beginning of each practice and at the beginning of alternate speeds.

**CTU REGISTER NOW**

ICOM America is the Flagship Sponsor of Contest University 2008 <http://www.contestuniversity.com/>

**Registration is Open!**

Instructors and topics are still being firmed up, but save money and [register now!!](#)

**Scholarships Available**

For those that are 25 years old or younger, we have Contest University scholarships available. Please [contact us](#) for more information.

**Got Comments?**

If you have questions, comments, etc., please use our [Contact Form](#) to submit them to us.... we would be glad to hear from you and will welcome your feedback on this exciting project.

**CTU 2008 Registration Fee:**

**\$75.00 early bird sign up – until 1/31/08**  
\$80.00 2/1/08 until 2/28/08  
\$85.00 3/1/08 until 4/30/08 (last day to sign up)  
No sign ups at the door!

**Scholarships available for those 25 years old or younger - [contact us](#) for info.**



AROUND TOWN . . .

20 Jan 2008 HPARC SWAP

www.hparc.org Talk-in: 146.64 (PL 100)
Contact: Sean Fleming, K8KHZ
Phone: 248-850-7941
Email: k8khz@yahoo.com
Location: Hazel Park High School, Hazel Park, MI

19 Jan 2008 + ARAY Swap 2008

Genesee County ARES, Inc.
http://www.gcaresinc.org
Talk-In: 147.100 (PL 100)
Contact: Greg Ybarra, N8HXQ
4919 Alpha Way
Flint, MI 48506
Phone: 810-736-2126
Fax: 989-871-5594
Email: n8hxq@arrl.net
Location: Bentley Middle School
1180 North Belsay Road
Burton, MI

17 Feb 2008 + 37th Annual Swap 'N Shop

Livonia Amateur Radio Club
http://www.LivoniaARC.com
Talk-In: 145.35
Contact: Sharon Ann Keller, KA8SRC
30148 Puritan Street
Livonia, MI 48154
Phone: 734-427-3934
Email: driskell55@aol.com
Civic Park Seniors Center
15218 Farmington Road, Livonia, MI

15 Mar 2008 48th Annual Mi Crossroads Hamfest

SEMARS & Marshall HS Industrial Arts Club
http://www.w8df.com
Talk-In: 146.660 (PL 94.8) -600 & 146.520 simplex
Contact: Stephanie Halbert, W8AEZ
20960 NE Capital Avenue
Battle Creek, MI 49017
Phone: 269-966-0770
Email: daffne25@yahoo.com
Marshall High School
701 North Marshall Avenue, Marshall, MI

SCHOLARSHIPS



(Dec 11, 2007) -- The non-profit Foundation for Amateur Radio (FAR) is now accepting applications for 55 academic year 2008-2009 scholarships to assist radio amateurs pursuing higher education.

The deadline to apply is March 30, 2008. FAR fully funds three of scholarships and administers 41 others without cost on behalf of various club and individual donors; grant income funds the remaining 11 awards.

Amateur Radio licensees pursuing a full-time course of study beyond high school and accepted by or enrolled in an accredited university, college or technical school are eligible to apply. Scholarship grants range from \$500 to \$3000, and preference in some cases goes to applicants living in particular geographical areas or pursuing certain studies.

Non-US residents are eligible to apply for some of the scholarships. FAR encourages clubs -- especially those in California, Delaware, Maryland, Ohio, Pennsylvania, Texas, Virginia and Wisconsin -- to announce these scholarship opportunities at meetings, in newsletters, during training classes, on nets and on their Web sites.

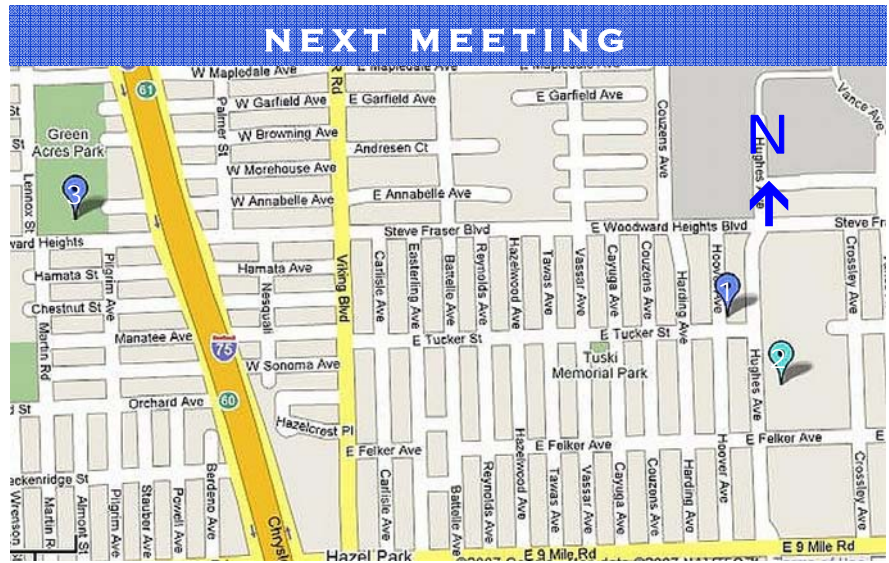
More information and an application form may be requested by letter via e-mail to scholarships@farweb.org or by sending a QSL card postmarked prior to March 30, 2008, to FAR Scholarships, PO Box 831, Riverdale, MD 20738.

Headquartered in Washington, DC, FAR consists of more than 75 area Amateur Radio Clubs. FAR is devoted to promoting the interests of Amateur Radio and those scientific, literary and educational pursuits that advance the purposes of the Amateur Radio Service.

Decorative border of snowflakes surrounding the text: KEEP EMERGENCY GEAR in your trunk
• a bottle of quality washer fluid
• extra sweatshirt and pants and socks
• Hat, scarf, gloves and boots
• ice scrapers
• blanket
• kitty litter (great for traction) and small shovel
• emergency kit with reflector and stuff

**M  
a  
r  
k  
y  
o  
u  
r  
c  
a  
l  
e  
n  
d  
e  
r**

February 13, 2008  
**TIME**  
 Socializing @7:00 P.M.  
 Meeting @7:30 P.M.  
**PLACE**  
 Hoover Elementary  
 23720 Hoover Ave.  
 Hazel Park 48030



Locations: 1– Meeting 2– Swap 3– Picnic

**We're on the Web**  
[www.hparc.org](http://www.hparc.org)



Hazel Park Amateur Radio Club  
 P.O. Box 368  
 Hazel Park, MI 48030



**Please check mailing label — is your membership about to expire?**

**FIRST CLASS MAIL — Dated Material**